

SFD-FB 6020

● General Specifications

- ⊙ Material -----Frame:Plastics (Flammability:UL94V-0)
Impeller:Plastics (Flammability:UL94V-0)
- ⊙ Lead Wire-----+ Red - Black (Sensor) Yellow (Control) Brown
UL 1061 AWG#24 OR Equivalent
- ⊙ Storage Temperatur--- -30°C ~ +70°C (Non-comdensing)
- ⊙ Bearing Type----- Ball Bearings Sleeve
- ⊙ Speed Range----- ±10%
- ⊙ Part Numbering System

SFD-FB0612MB- B R 1

Waterproof level:0=no,1=IP55,2=IP68

Sensor: 0=no,R=RD sensor ,F=FG sensor ,P=PWM sensor ,T=Temperature sensor

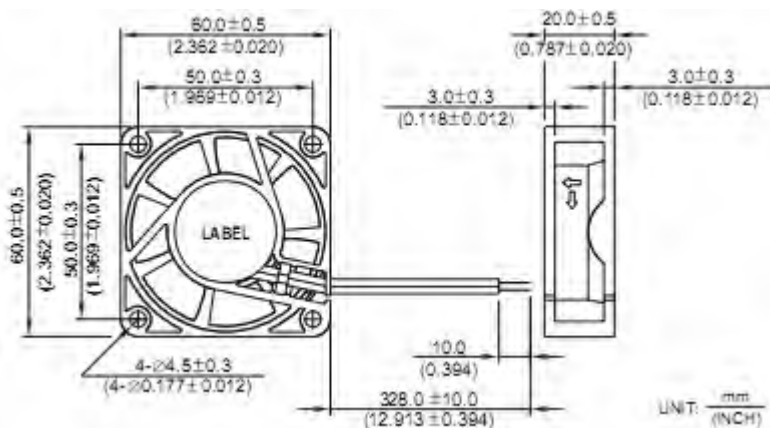
Bearing:S=sleeve bearing,B=ball bearing,Y=superflo bearing,L=long life bearing



60 X 60 X 20 mm (Mass: 55g)

Model No.	Rated Voltage	Operating Voltage	Rated Current	Rated Input	Speed	Maximum Air Flow		Max.Static Pressure		Noise
	VDC	VDC	AMP	Watt	R.P.M	M3/min	CFM	MmH2O	IN H2O	dB-A
SFD-FB0605LD	5	4~6	0.16	0.80	3000	0.36	13	2.97	0.112	25
SFD-FB0605MD			0.22	1.10	3600	0.41	14.60	3.69	0.145	26.5
SFD-FB0605HD			0.27	1.35	4000	0.47	16.45	4.75	0.179	29
SFD-FB0605HHD			0.38	1.90	4400	0.52	18.22	5.6	0.212	32
SFD-FB0612LD	12	7.5~13.2	0.08	0.96	3000	0.36	13	2.97	0.112	25
SFD-FB0612MD			0.10	1.20	3600	0.41	14.60	3.69	0.145	26.5
SFD-FB0612HD			0.13	1.56	4000	0.47	16.45	4.75	0.179	29
SFD-FB0612HHD			0.17	2.04	4400	0.52	18.22	5.6	0.212	32
SFD-FB0612VHD			0.2	2.24	4800	0.56	19.78	6.99	0.274	35
SFD-FB0624LD	24	14~26.2	0.05	1.20	3000	0.36	13	2.97	0.112	25
SFD-FB0624MD			0.06	1.44	3600	0.41	14.60	3.69	0.145	26.5
SFD-FB0624HD			0.07	1.68	4000	0.47	16.45	4.75	0.179	29
SFD-FB0624HHD			0.09	2.16	4400	0.52	18.22	5.6	0.212	32
SFD-FB0624VHD			0.11	2.64	4800	0.56	19.78	6.99	0.274	35

● Dimensions(unit:mm/inch)



● Air Flow-Static Pressure Characteristics

