

80mm DC FAN
CE RS
● General Specifications

- ⌚ Material ----- Frame:Plastics (Flammability:UL94V-0)
Impeller:Plastics (Flammability:UL94V-0)
- ⌚ Lead Wire ----- + Red - Black (Sensor) Yellow (Control) Brown
- ⌚ Life time -----25000 Hours Sleeve bearing
50000 Hours Ball bearing
- ⌚ Storage Temperatur--- -30℃ ~ +70℃ (Non-condensing)
- ⌚ Bearing Type----- Ball Bearings Sleeve
- ⌚ Speed Range----- ±10%
- ⌚ Part Numbering System

 SFD-FB0812LE- **B R 1**

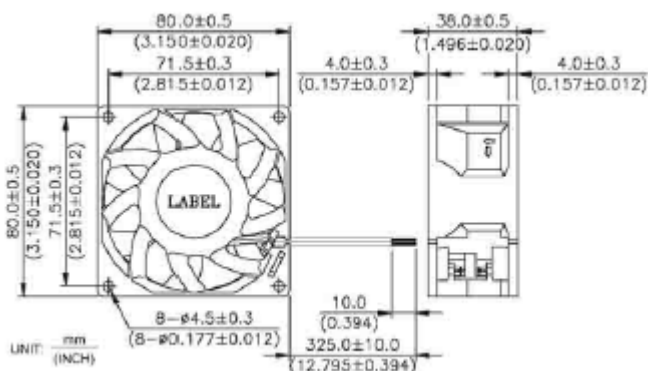
Waterproof level:0=no,1=IP55,2=IP68

Sensor: 0=no,R=RD sensor ,F=FG sensor ,P=PWM sensor ,T=Temperature sensor

Bearing:S=sleeve bearing,B=ball bearing,Y=superflo bearing,L=long life bearing


80 X 80 X 38mm (Mass: 162g)

Model No.	Rated Voltage	Operating Voltage	Rated Current	Rated Input	Speed	Maximum Air Flow		Max.Static Pressure		Noise
	VDC	VDC	AMP	Watt	R.P.M	M3/min	CFM	MmH2O	IN H2O	dB-A
SFD-FB0812HHE	12	7.2-13.8	0.24	2.88	3500	1.27	45.10	7.12	0.28	39.5
SFD-FB0812VHE			0.44	5.28	4300	1.61	57.20	10.7	0.42	45.5
SFD-FB0812SHE			0.65	7.8	4950	1.93	68.40	14.9	0.59	49.5
SFD-FB0812EHE			0.99	11.88	5800	2.26	79.80	20.4	0.81	54
SFD-FB0812GHE			1.24	14.88	6700	2.53	88.9	23.4	0.92	60.5
SFD-FB0812UHE			1.58	18.96	7400	2.88	101.5	31.2	1.23	63.5
SFD-FB0824HHE	24	14.5~27.5	0.17	4.08	3500	1.27	45.10	7.12	0.28	39.5
SFD-FB0824VHE			0.28	6.72	4300	1.61	57.20	10.7	0.42	45.5
SFD-FB0824SHE			0.39	9.36	4950	1.93	68.40	14.9	0.59	49.5
SFD-FB0824EHE			0.58	13.92	5800	2.26	79.80	20.4	0.81	54
SFD-FB0848VHE	48	29.0~55.0	0.11	5.28	4300	1.61	57.20	10.7	0.42	45.5
SFD-FB0848SHE			0.16	7.68	4950	1.93	68.40	14.9	0.59	49.5
SFD-FB0848EHE			0.21	10.08	5800	2.26	79.80	20.4	0.81	54

● Dimensions(unit:mm/inch)

● Air Flow-Static Pressure Characteristics
