

120mm DC FAN

CE RS

● General Specifications

- ⌚ Material ----- Frame:Plastics (Flammability:UL94V-0)
Impeller:Plastics (Flammability:UL94V-0)
- ⌚ Lead Wire ----- + Red - Black (Sensor) Yellow (Control) Brown
- ⌚ Life time -----25000 Hours Sleeve bearing
50000 Hours Ball bearing
- ⌚ Storage Temperatur--- -30℃ ~ +70℃ (Non-condensing)
- ⌚ Bearing Type----- Ball Bearings Sleeve
- ⌚ Speed Range----- ±10%
- ⌚ Part Numbering System



SFD-EB1212HH- **B R 1**

Waterproof level:0=no,1=IP55,2=IP68

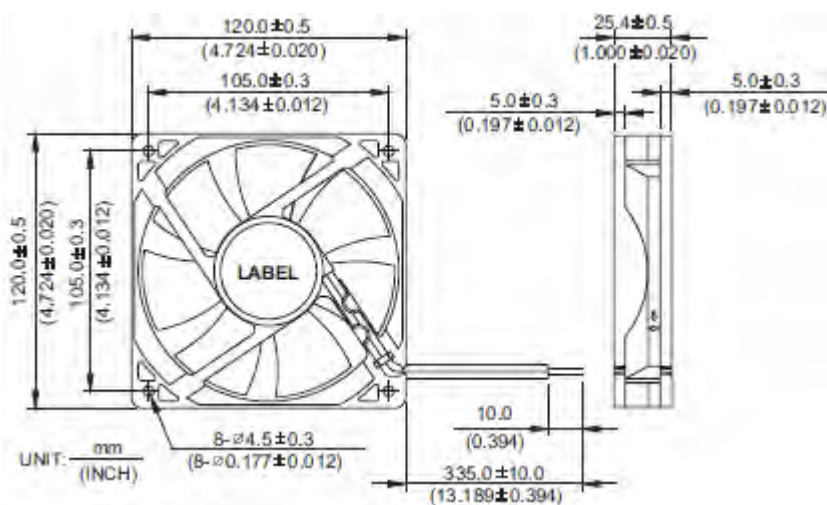
Sensor: 0=no,R=RD sensor ,F=FG sensor ,P=PWM sensor ,T=Temperature sensor

Bearing:S=sleeve bearing,B=ball bearing,Y=superflo bearing,L=long life bearing

120 X 120 X 25mm (Mass: 180g)

Model No.	Rated Voltage	Operating Voltage	Rated Current	Rated Input	Speed	Maximum Air Flow		Max.Static Pressure		Noise
	VDC	VDC	AMP	Watt		R.P.M	M3/min	CFM	MmH2O	
SFD-EB1212L	12	7.2-13.8	0.15	1.8	1900	1.76	62.88	3.91	0.152	33.0
SFD-EB1212M			0.19	2.28	2200	2.05	73.65	5.14	0.200	36.0
SFD-EB1212H			0.24	2.88	2500	2.31	82.55	6.21	0.238	39.5
SFD-EB1212HH			0.34	4.08	2800	2.67	94.91	7.69	0.301	42.5
SFD-EB1212VH			0.42	5.04	3100	2.92	102.8	9.41	0.369	45.0
SFD-EB1212SH			0.56	6.72	3500	3.19	112.7	10.86	0.425	47.0

● Dimensions(unit:mm/inch)



● Air Flow-Static Pressure Characteristics

