

**40mm DC Blower**
**CERS**
**● General Specifications**

- ⌚ Material ----- Frame:Plastics (Flammability:UL94V-0)  
Impeller:Plastics (Flammability:UL94V-0)
- ⌚ Lead Wire ----- + Red - Black (Sensor) Yellow (Control) Brown
- ⌚ Life time -----25000 Hours Sleeve bearing  
50000 Hours Ball bearing
- ⌚ Storage Temperatur--- -30°C ~ +70°C (Non-condensing)
- ⌚ Bearing Type----- Ball Bearings Sleeve
- ⌚ Speed Range----- ±10%
- ⌚ Part Numbering System

SFD-BB0412HH- B R 1

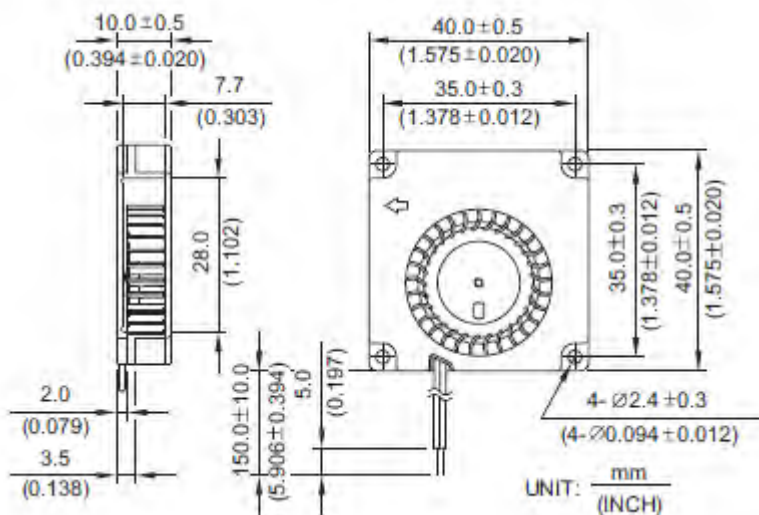
Waterproof level:0=no,1=IP55,2=IP68

Sensor: 0=no,R=RD sensor ,F=FG sensor ,P=PWM sensor ,T=Temperature sensor

Bearing:S=sleeve bearing,B=ball bearing,Y=superflo bearing,L=long life bearing


**40 X 40 X 10mm ( Mass: 11g)**

Model No.	Rated Voltage	Operating Voltage	Rated Current	Rated Input	Speed	Maximum Air Flow		Max.Static Pressure		Noise
	VDC	VDC	AMP	Watt		R.P.M	M3/min	CFM	MmH2O	
SFD-BB0405LA	5	4.0-6.0	0.07	0.35	5600	0.055	1.93	5.36	0.21	28.5
SFD-BB0405MA			0.12	0.60	6600	0.064	2.29	7.92	0.311	30.0
SFD-BB0405HA			0.18	0.90	7600	0.073	2.60	10.84	0.426	32.5
SFD-BB0405HHA			0.23	1.15	8600	0.084	2.99	14.32	0.563	35.5
SFD-BB0412LA	12	7.2-13.8	0.06	0.72	5600	0.055	1.93	5.36	0.21	28.5
SFD-BB0412MA			0.07	0.84	6600	0.064	2.29	7.92	0.311	30.0
SFD-BB0412HA			0.09	1.08	7600	0.073	2.60	10.84	0.426	32.5
SFD-BB0412HHA			0.11	1.32	8600	0.084	2.99	14.32	0.563	35.5

**● Dimensions(unit:mm/inch)**

**● Air Flow-Static Pressure Characteristics**
