

**172mm AC FAN**

**CE RS**

**● General Specifications**

- ⌚ Material ----- Frame:Aluminum  
Impeller:Plastics (Flammability:UL94V-0 rating)
- ⌚ Dielectric Strength ----- 50/60Hz 1500VAC 1minute
- ⌚ Life time -----10000 Hours Sleeve bearing  
25000 Hours Ball bearing
- ⌚ Storage Temperatur--- -30℃ ~ +70℃ (Non-condensing)
- ⌚ Bearing Type----- Ball Bearings Sleeve
- ⌚ Speed Range----- ±10%
- ⌚ Part Numbering System

SFD-AC17251H 220 B - 1

Waterproof level:1=IP55,2=IP68

Bearing:S=sleeve bearing,B=ball bearing

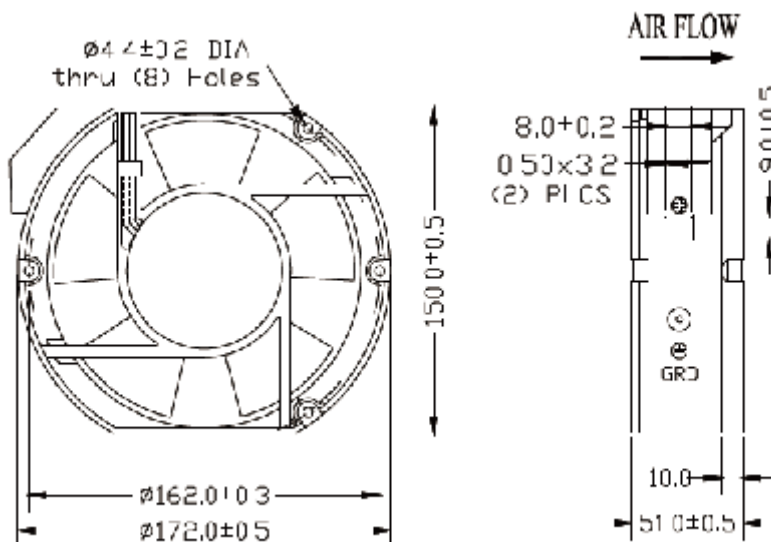
AC Voltage: 110=100-125V、220=220-240V 380=380V



**172 X 150 X 51mm ( Mass910g)**

Model No.	Voltage (v)	Frequency (HZ)	Rated Current (A/MP)	Rated Input (Watt)	Speed (R.P.M)	Maximum Air Flow		Max.Static Pressure		Noise (dB-A)
	VAC					M3/min	CFM	mmH2O	IN H2O	
SFD-AC17251M110B	100~125	50/60	0.45/0.5	36/37	2700/3100	5.38/6.67	190/236	16.1/17.8	0.63/0.705	45/50
SFD-AC17251M220B	220~240		0.21/0.22	33/34	2700/3100	5.38/6.67	190/236	16.1/17.8	0.63/0.705	45/50
SFD-AC17251H110B	100~125		0.39/0.41	30/32	2300/2400	4.5/4.8	161/172	14/15	0.526/0.59	40/41
SFD-AC17251H220B	220~240		0.18/0.19	28/30	2300/2400	4.5/4.8	161/172	14/15	0.526/0.59	40/41
SFD-AC17251H380B	380		0.11	34	2700	5.39	192	16	0.618	45
SFD-AC17251M380B	380		0.09	30	2400	4.8	170	15	0.59/0.618	41

**● Dimensions(unit:mm/inch)**



**● Air Flow-Static Pressure Characteristics**

